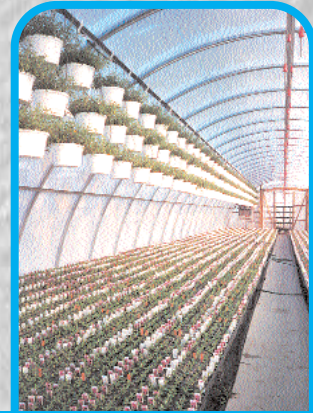


16 & 20 FT. WIDE • GROUND TO GROUND



conleys.com

CF Series 1000 Ground to Ground

outstanding features

- Two-piece arch that laps and bolts together
- Simple to install
- Arches nest together for more efficient shipping
- Economically priced

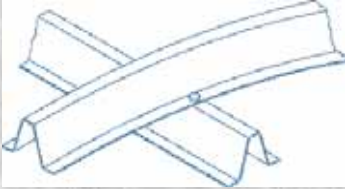
Value

- Components supplied pre-cut and punched for an easy bolt together assembly. Step-by-step installation instructions are included
- With more headroom than most structures in its class, Conley's ground to ground cold frames provide ideal environments for growing.

Conley's CF Series 1000 represents one of the strongest ground to ground designs on the market today. These structures have been employed throughout the world in some of the harshest environments imaginable. ROLLFORMED arches and purlins help to set this house apart from other competitors. In addition to maximizing the strength characteristics of each metal member supplied, ROLLFORMED components "stack" in tight shipping bundles thereby reducing freight costs. This structure is designed specifically for poly or shade cloth coverings.

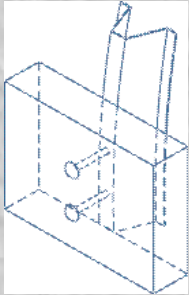
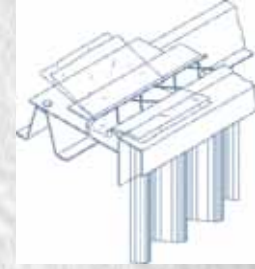
SPECIFICATIONS

CF SERIES 1000

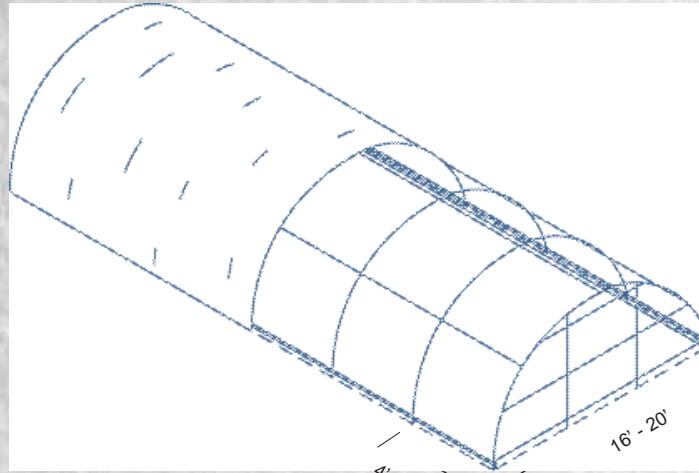


Superior strength ROLL-FORM arch and purlin design maximizes strength.

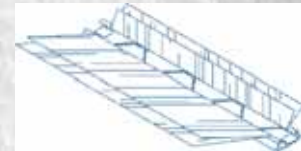
Arch aluminum gable end bar combo & spring secures coverings to roof and end wall.



Wood for sidewall framing supplied by others.



Aluminum base and spring lock secure poly to sides.

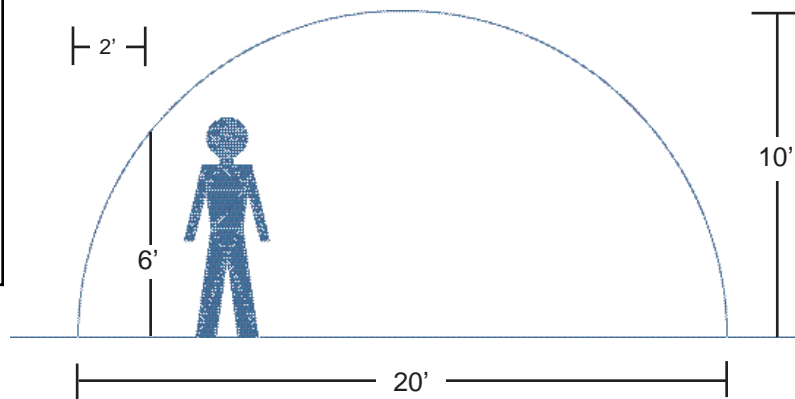
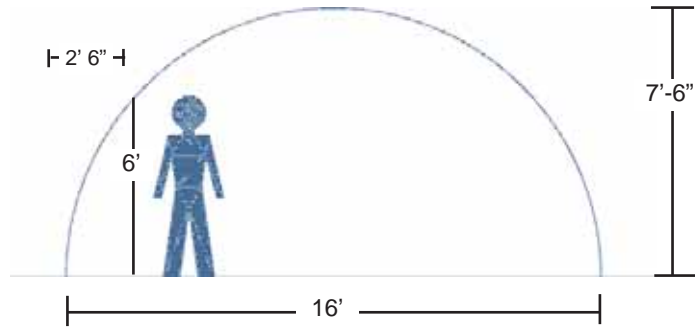


Conley's Cold Frame Structures represent non-code designs with certifications unavailable. Not recommended for regions of snow or high winds.

Accessories

description

- Arch Aluminum Gable End Bar with Springs & Screws
- Arch Aluminum Spring Lock & Screws
- Upgrade One 12' Long 3" Purlin to 5" Purlin
- Upgrade One 10' Long 3" Purlin to 5" Purlin
- 12' Straight Aluminum Spring Lock & Screws
- Galvanized Steel Endwall Frame with Two "C" Uprights and Three Runs Girts
- PolyCarbonate with Fasteners and Closure Strip for Endwalls
- Arch to Ground Anchor Tab with Two Screws
- 1/4" x 2" Carriage Bolts with 1/4" Nuts
- Extra 5" Girts 12' 4" Long (For Framing)
- 3' x 6'8" Storm Door Kit with Double Pane Glass



PRICES, WEIGHTS & SPECIFICATIONS SUBJECT TO CHANGE WITHOUT NOTICE.
 PRICES EXCLUDE INSTALLATION LABOR, OR FREIGHT
 (800) 377-8441 or (909) 627-0981 FAX (909) 628-3774

CF SERIES 1100

20 & 24 FT. WIDE • WITH SIDE WALLS



conleys.com



CF Series 1100: with Sidewalls outstanding features

- Economically priced
- Heavy-duty column to arch adapters
- Rollformed arch design
- Two-piece arch
- Heavy-duty column to arch adapters
- Three runs of purlins
- Easy installation

Value

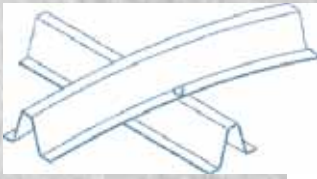
- Designed with versatility in mind, Conley's 20' - 24' wide Cold Frames offer numerous variations. These structure can be customized to meet your growing needs.



Incorporating all the positive virtues associated with ROLL-FORM, Conley's CF SERIES 1100 represents one of the most versatile cold frames on the market. Available in a 3.5' tall or, optional 6' tall, straight sidewall height, this house can be employed for many different growing conditions. Add roll-up curtains, fans and or heaters to optimize the growing potential of this structure. Conley's CF SERIES 1100 has been successfully incorporated in mild to moderate climates throughout the country. This structure is designed specifically for poly or shade cloth covering.

SPECIFICATIONS

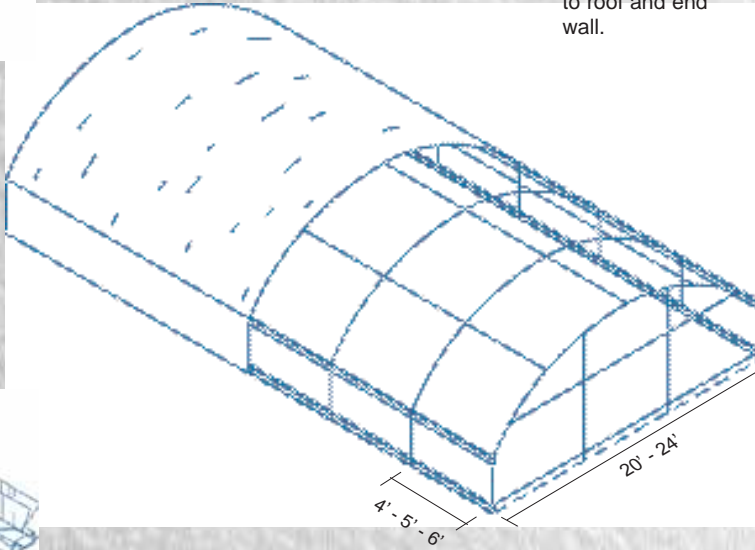
CF SERIES 1100



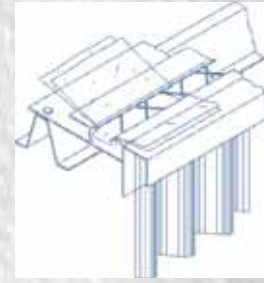
Superior strength ROLL-FORM arch and purlin design maximizes strength.



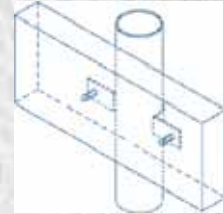
Aluminum base and spring lock secure poly to sides.



Arch aluminum gable end bar combo & spring secures coverings to roof and end wall.



3'-6" - 6'-0"



Wood for sidewall framing supplied by others.

Conley's Cold Frame Structures represent non-code designs with certifications unavailable. Not recommended for regions of snow or high winds.

Accessories

description

Arch Aluminum Gable End Bar with Springs & Screws

Arch Aluminum Spring & Screws

Upgrade 12' Long 3" Purlin to 5" Purlin

Upgrade 10' Long 3" Purlin to 5" Purlin

12' Straight Aluminum Spring Lock & Screws

Galvanized Steel Endwall Frame with Two "C" Uprights and Two Runs Girts

Polycarbonate with Fasteners and Closure Strip for Endwalls

Polycarbonate with Fasteners and Closure Strip Sidewalls

Arch to Ground Anchor Tab with Two Screws

1/4" x 2" Carriage Bolts with 1/4" nuts

1-5/8" Clamp to Wood with Two 1/4" x 2" Carriage Bolts

1-5/8" Hand/Clamp to Column

1-5/8" Column 5'-3" Long with Hand

FOR OPTIONAL 6' SIDEWALL

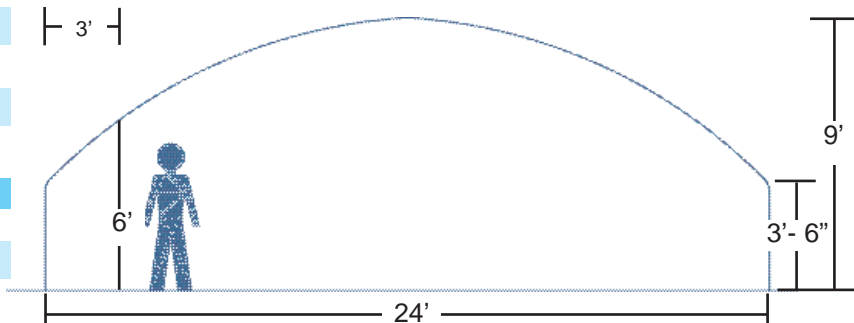
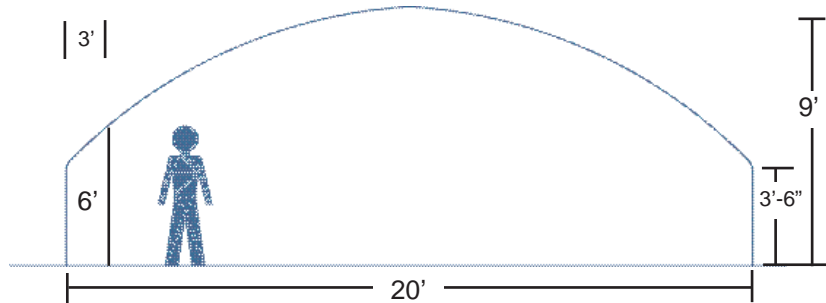
2-7/8" Clamp to Wood with Two 1/4" x 2" Carriage Bolts

2-7/8" Hand/Clamp to Column

2-7/8" Column 8' Long with Hand

Extra 5" Girt 12'-4" Long (for Framing)

3' x 6'-8" Storm Door Kit with Double Pane Glass



PRICES, WEIGHTS & SPECIFICATIONS SUBJECT TO CHANGE WITHOUT NOTICE.
PRICES EXCLUDE INSTALLATION LABOR, OR FREIGHT

30 - 35 FT. WIDE • WITH SIDE WALLS



conleys.com

CF Series 1200: with side walls outstanding features

- Superior strength 3" tall ROLL-FORM arch design
- Five runs of "double-bolted" purlins per house
- Heavy-duty arch to column connection
- 12'-6" or 14' tall at the peak
- Pound for pound, more steel than other structures in its class
- Easy installation

Value

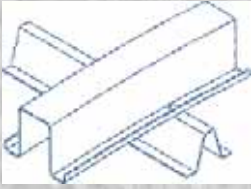
Conley's function with style, Conley's 30' and 35' wide Cold Frames offer one of the strongest designs available.



Hands down, Conley's CF SERIES 1200 represents one of the strongest - most durable - structures on the market today. Utilizing 3" tall ROLL-FORM arch assemblies designed to support substantially more snow and ice than similar sized houses in its class. Each of the five purlin assemblies provided per house are double bolted to each arch substantially increase the structures resistance to wind. Designed for poly or shade cloth covering, the CF SERIES 1200 is available in either a 4' tall or 6' tall sidewall height.

SPECIFICATIONS

CF SERIES 1200

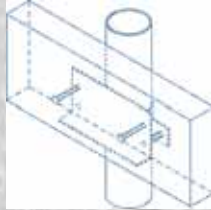


Superior strength rollformed arch and purlin design maximizes strength.

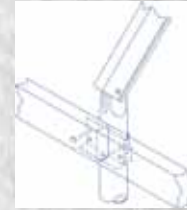
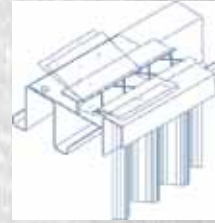


Aluminum base and spring lock secures poly to sides.

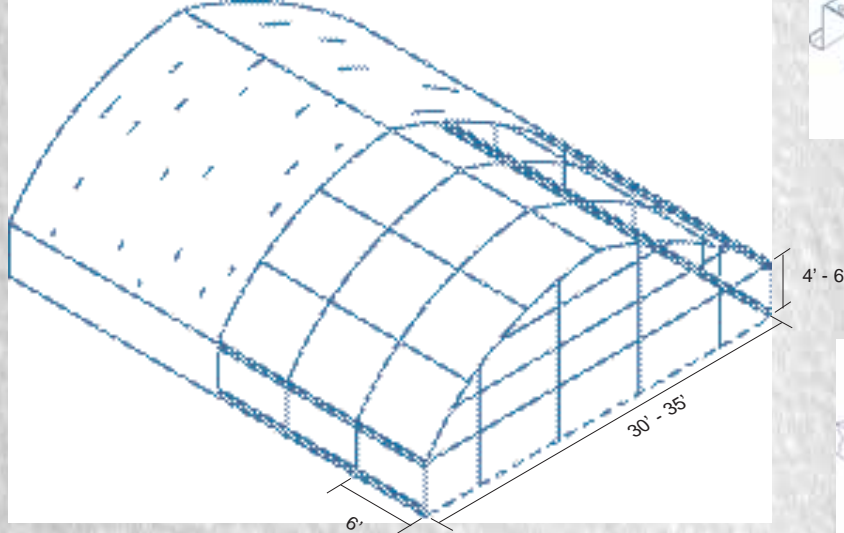
Wood for sidewall framing supplied by others.



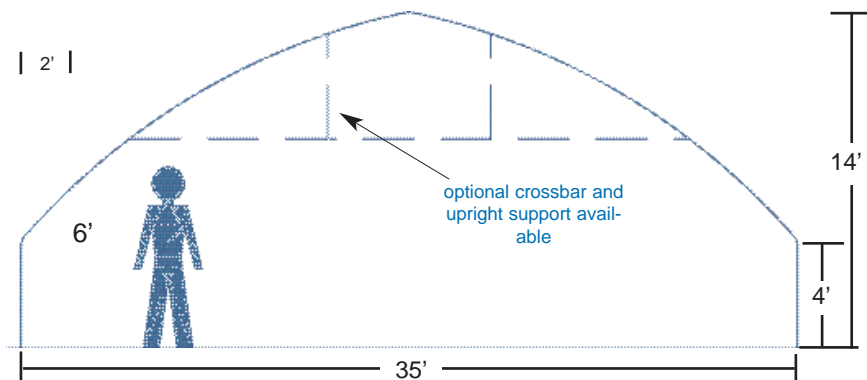
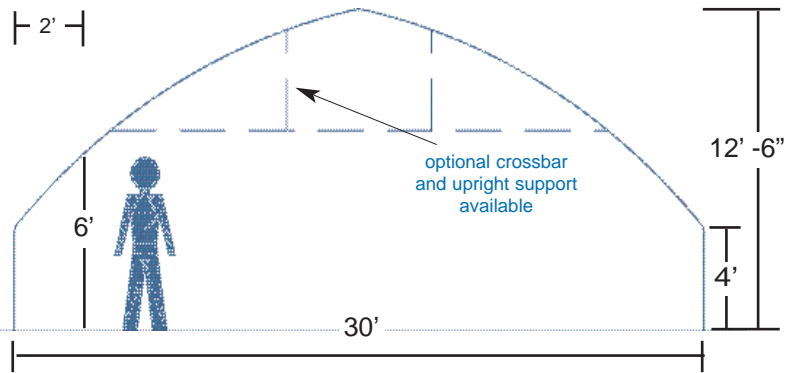
Arch aluminum gable end bar combo & springs secures coverings to roof and end wall.



Arch slips over and bolts directly to side wall column.



Accessories
description
Structural Upgrade: 1-3/8" Cross Bar with Two Support Tubes
Arch Aluminum Gable End Bar with Springs & Screws
12' Straight Aluminum Spring Lock Screws
Galvanized Steel Endwall Frame with 1-5/8", 14-Gauge Uprights and Four Runs 5" Girts
Polycarbonate Fasteners and Closure Strip for Endwalls
Polycarbonate Fasteners and Closure Strip for Sidewalls
2-7/8" Clamp to Wood with Two 1/4" x 2" Carriage Bolts
3' x 6'8" Storm Door Kit with Double Pane Glass



PRICES, WEIGHTS & SPECIFICATIONS SUBJECT TO CHANGE WITHOUT NOTICE.
 PRICES EXCLUDE INSTALLATION LABOR, OR FREIGHT
 (800) 377-8441 or (909) 627-0981 FAX (909) 628-3774