

30 - 35 FT. WIDE • WITH SIDE WALLS



conleys.com

CF Series 1200: with side walls outstanding features

- Superior strength 3" tall ROLL-FORM arch design
- Five runs of "double-bolted" purlins per house
- Heavy-duty arch to column connection
- 12'-6" or 14' tall at the peak
- Pound for pound, more steel than other structures in its class
- Easy installation

Value

Conley's function with style, Conley's 30' and 35' wide Cold Frames offer one of the strongest designs available.



Hands down, Conley's CF SERIES 1200 represents one of the strongest - most durable - structures on the market today. Utilizing 3" tall ROLL-FORM arch assemblies designed to support substantially more snow and ice than similar sized houses in its class. Each of the five purlin assemblies provided per house are double bolted to each arch substantially increase the structures resistance to wind. Designed for poly or shade cloth covering, the CF SERIES 1200 is available in either a 4' tall or 6' tall sidewall height.

SPECIFICATIONS

CF SERIES 1200

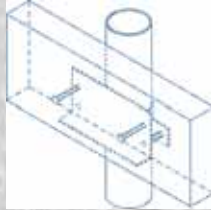


Superior strength rollformed arch and purlin design maximizes strength.

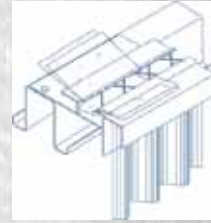


Aluminum base and spring lock secures poly to sides.

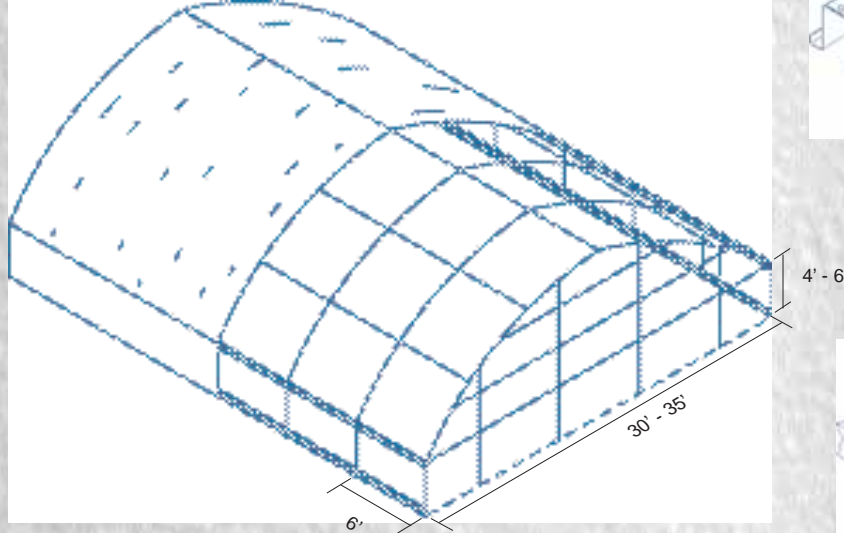
Wood for sidewall framing supplied by others.



Arch aluminum gable end bar combo & springs secures coverings to roof and end wall.



Arch slips over and bolts directly to side wall column.



Accessories

description

Structural Upgrade: 1-3/8" Cross Bar with Two Support Tubes

Arch Aluminum Gable End Bar with Springs & Screws

12' Straight Aluminum Spring Lock Screws

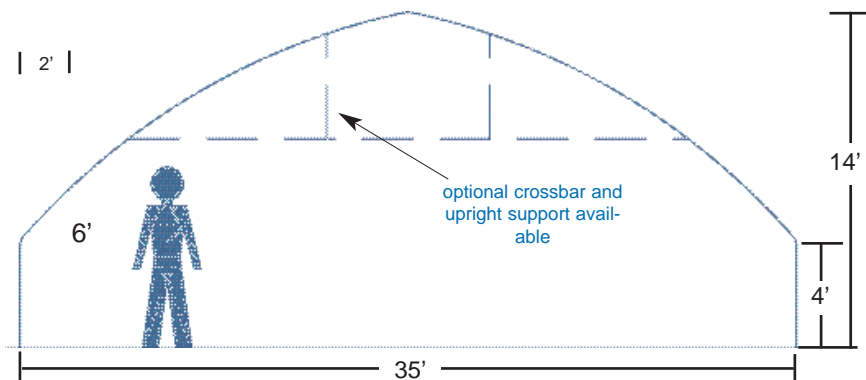
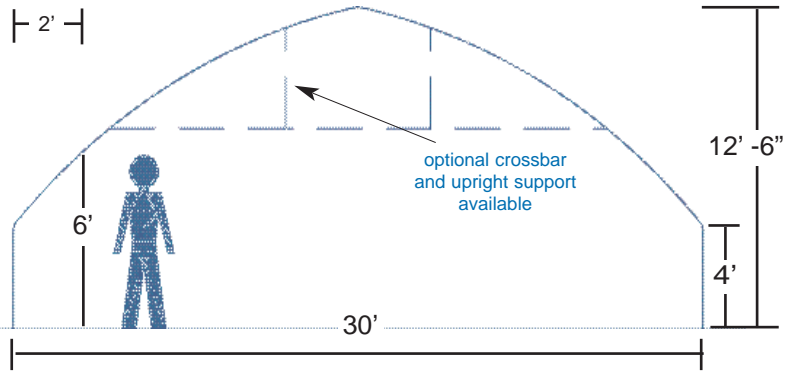
Galvanized Steel Endwall Frame with 1-5/8", 14-Gauge Uprights and Four Runs 5" Girts

Polycarbonate Fasteners and Closure Strip for Endwalls

Polycarbonate Fasteners and Closure Strip for Sidewalls

2-7/8" Clamp to Wood with Two 1/4" x 2" Carriage Bolts

3' x 6'8" Storm Door Kit with Double Pane Glass



PRICES, WEIGHTS & SPECIFICATIONS SUBJECT TO CHANGE WITHOUT NOTICE.
 PRICES EXCLUDE INSTALLATION LABOR, OR FREIGHT
 (800) 377-8441 or (909) 627-0981 FAX (909) 628-3774